

HS3155 Series

Industrial Handheld Wireless Barcode Reader

HS3155 is a lightweight handheld wireless Bluetooth barcode reader, equipped with a megapixel sensor and efficient processor. HS3155 can quickly read label barcodes, screen barcodes and good DPM barcodes. The new generation of Bluetooth wireless technology enables transmission distances of over 80m, the combination of 2500mAh battery capacity and optimized power saving mode ensures good battery endurance of the device.

Product Features

■ Equipped With a 1.3 Million Pixels Sensor

The use of high pixel sensors significantly improves reading accuracy (3mil) and working distance compared to the last generation products

■ Meet Universal Barcode Reading Scenarios

Reading accuracy can reach 3mil (1D) and 5mil (2D)
Easily read label barcodes and screen barcodes
Can read DPM barcodes such as good laser engraving codes and inkjet codes, etc.

■ Humanized Structural Design

Lightweight exterior design for easy hold
Strong and durable, more suitable for long-term and high-frequency use scenarios

■ Wireless Transmission and Battery Life

Adopting next-generation Bluetooth transmission technology
Wireless communication distance can reach over 80m (in open space)
2500mAh Battery capacity combined with optimized power saving mode enables continuously use for more than 9 hours (triggered once every 2 seconds)

Industry Applications



Home appliances manufacturing



Transportation



Electronics manufacturing



Food and drug traceability

Technical Parameters

| | | | |
|-------------------------|---|---------------------------|--|
| Sensor | CMOS sensor | Wireless Signal | 2.4-2.5 GHz Bandwidth range |
| Image Resolution | 1280 x 1024 | Communication Distance | 80m (open), 20m (indoor) Support storage |
| Acquisition Speed | Up to 60 frames per second | Storage Capacity | 20,000 pcs (13-bit character/pc) |
| Angle of View | 44° (Horizontal), 34° (Vertical) | Shell Material | PC |
| Roll/ Pitch/ Yaw | 360°(Roll), 65°(Pitch), 55°(Yaw) | Weight | Reader: 200g Base: 167g (horizontal base type) / 128g (vertical base type) |
| Reading Direction | Elevation angle $\pm 60^\circ$ Oblique angle $\pm 55^\circ$ | Dimensions (L x W x H) | Reader: 160.5mmx69.5mmx108.0mm; Communication base: 128.0mmx98.0mmx85.0mm(vertical); 201.1mmx94.2mmx56.0mm (horizontal) |
| Illumination Source | White LED | Operating Temperature | 0°C~ 45°C |
| Aiming Mode | Red LED | Storage Temperature | -10°C ~ 50°C |
| Communication Interface | USB (Simulated Serial port, Simulated Keyboard) | Relative Humidity | 5% ~ 95% non-condensing |
| Operating Voltage | Reader:4.2V \pm 10% VDC, Base power supply:5V \pm 5% VDC/USB | IP Rating | IP54 |
| Operating Current | 300mA | Certifications | CE, FCC, RoHS |
| Standby Current | 165mA | Ambient Light Immunity | Sunlight: 10,000 Lux Incandescent lamp: 6000 Lux |
| Battery Specifications | 3.7V / 2500mAh | Drop Resistance | Capable of withstanding multiple impacts of falling from a height of 1.2 meters onto the cement floor(allowable deviation of 5°) |
| Battery Endurance | Above 9 hours (triggered every 2 seconds, decoding over 16000 times in average) | Readable Code Symbologies | 1D, 2D, and stacked codes that comply with national and international standards |
| Charging Time | 6 hours | Maximum Reading Accuracy | 1D code: 3 mil, 2D code: 5 mil |

Reading Distance

Unit : (mm)

| Barcode Specifications | Nearest | Farthest |
|------------------------|---------|----------|
| 3.34mil Code128 | 40 | 125 |
| 5mil Code128 | 30 | 164 |
| 10mil Code128 | 15 | 255 |
| 15mil Code128 | 15 | 281 |
| 5mil DataMatrix | 38 | 92 |
| 6.67mil DataMatrix | 33 | 137 |
| 10mil DataMatrix | 20 | 198 |
| 15mil DataMatrix | 20 | 227 |

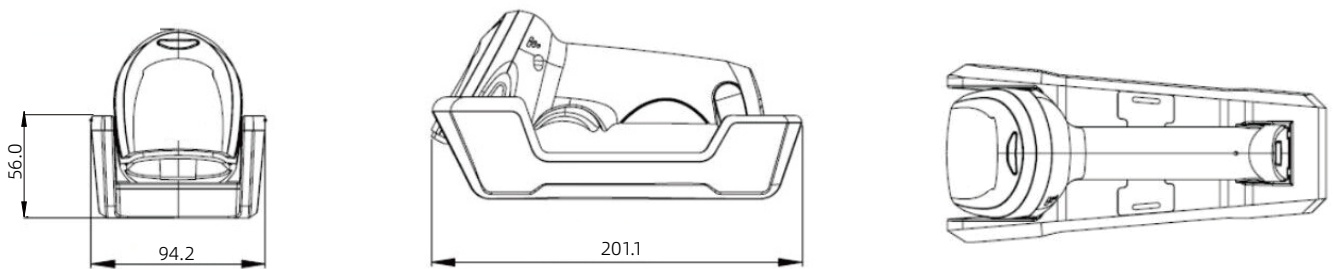
Standard Models Configuration Table

| Model | Description |
|-----------------|---|
| HS3155-02-U-02A | Wireless handheld, white LED, USB set, horizontal communication base,cable of 2 meters |
| HS3155-02-U-02B | Wireless handheld, white LED, USB set, horizontal communication base,cable of 2 meters, 5V power supply |
| HS3155-05-U-02A | Wireless handheld, white LED, USB set, vertical communication base, cable of 2 meters |

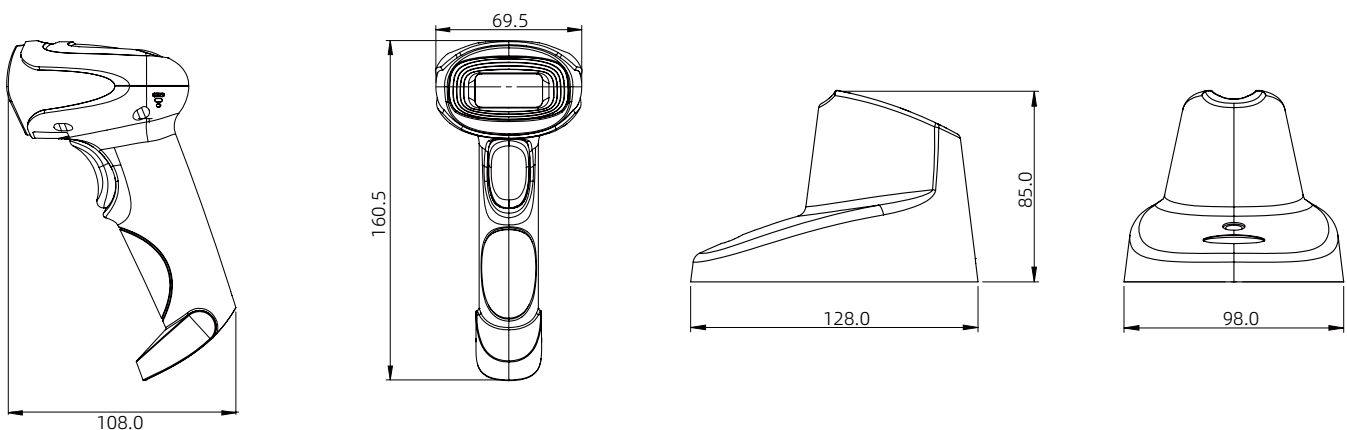
Dimensions

Unit: (mm)

HS3155 Horizontal Base Type



HS3155 Vertical Base Type



Any change of the information in this document may not be with prior notice; even the content of this document has been carefully checked to ensure accuracy, there may still be some errors. The data involved in this document may differ due to environmental factors, Bilin Intelligence does not bear any consequences arising from this.



NANJING BILIN INTELLIGENT IDENTIFICATION TECHNOLOGY CO., LTD.
www.infoscan-cn.com

infoscan

ver: 20231121